

## CARDOK Turntable

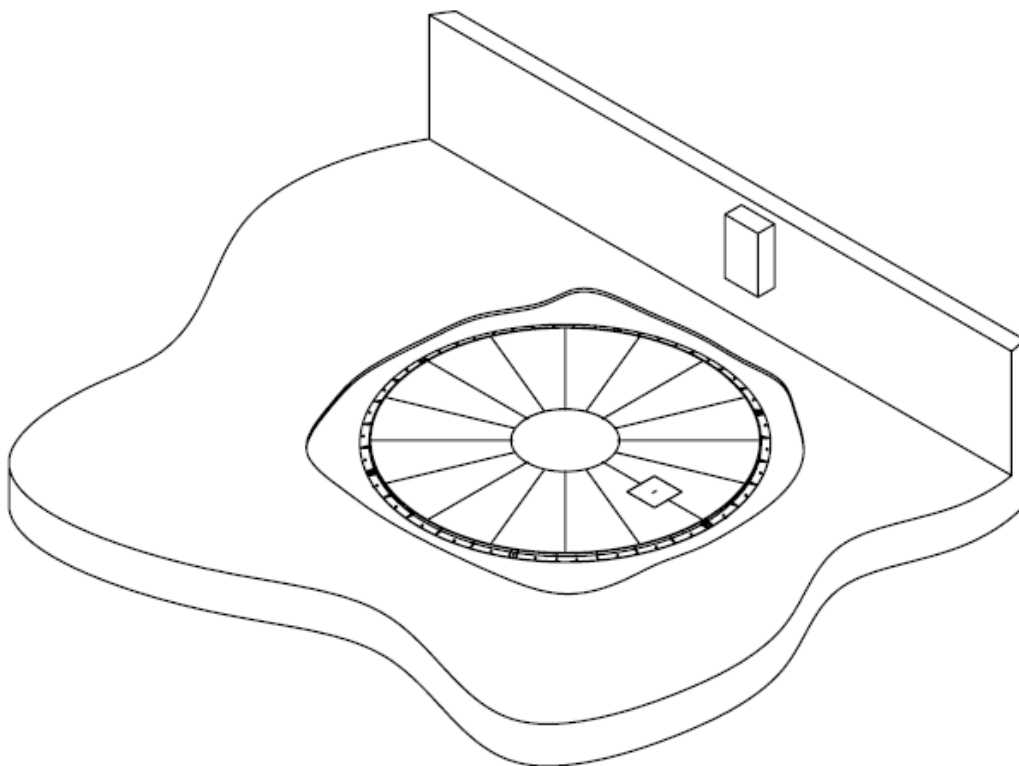
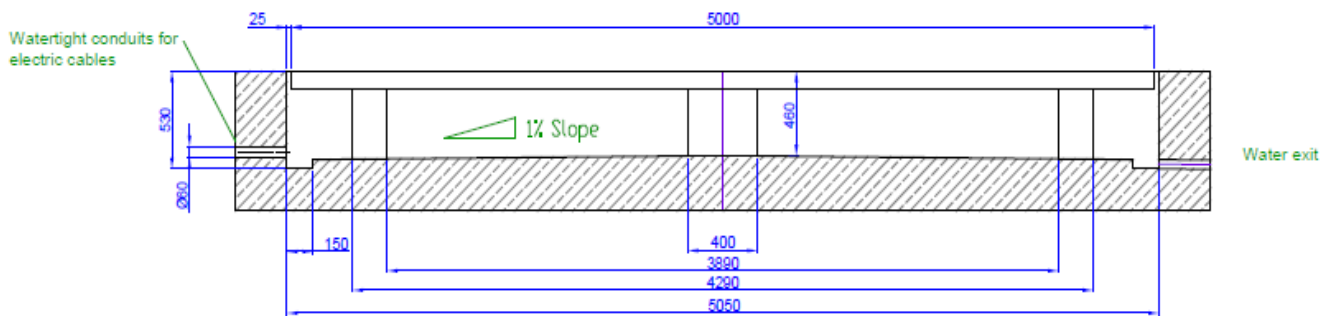
Simplifies parking in narrow areas, indoor and outdoor

Secure, Fast and Bespoke

Installation for private houses, buildings, hotels, offices, ...

## Dimensions

(Built to measure, all dimensions can be changed and adapted upon request and following acceptance)



## Technical zone

Need to provide a space on a wall of 1.0m<sup>2</sup> for the electric cabinet and the control panel.

Need to install 1 watertight conduit for electric cables. The min diameter is 60mm (cast in the concrete)

## Characteristics:

	Standard	Option
Platform load:	3000kg per platform	3500kg / other
Dimensions available:	5000mm	4500 / 5500 / 6000 / other
Pit depth:	460mm	150 / other
Speed:	1RPM	

## Concrete pit (built by customer)

The thickness of the walls needs to be defined by an engineer depending on the quality of the land. The walls of the pit must be formed of concrete and must be perfectly flat and vertical without any protrusions.

Concrete quality according to the static requirement of the building but for the dowel fastening we require a concrete quality of min. C20/25.

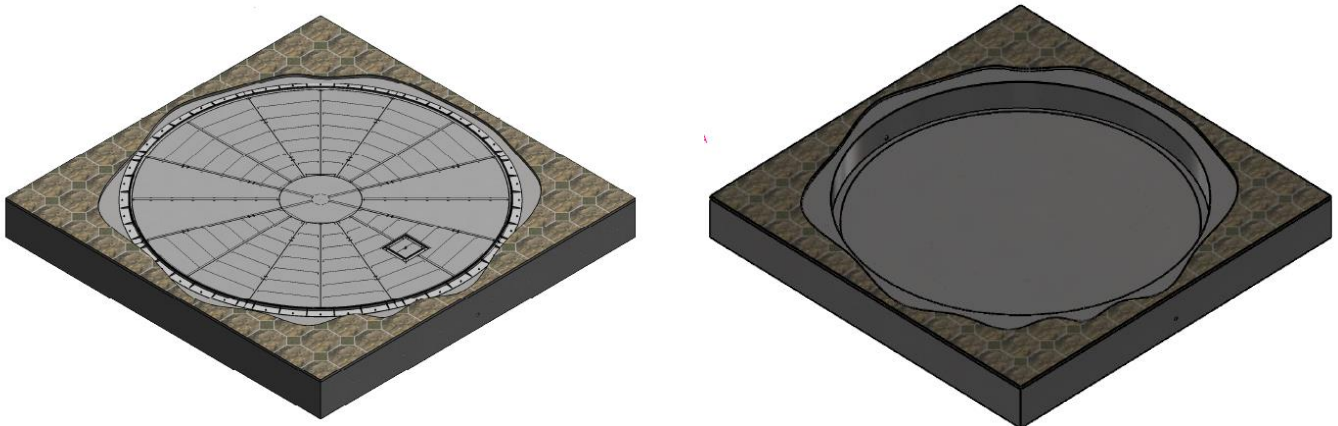
Provision of a watertight passage is necessary for electrical supply of min. 60mm in diameter.

(made to measure, all dimensions can be changed upon request and upon acceptance by Cardok)

Pit floor : to be defined by the engineer

Pit depth : standard 460mm

Diameter : standard 5060mm



## Drainage (to be performed by the customer)

Need to install a drainage grid at the bottom of the pit. Where this is not possible, it's necessary to create a slope and a drainage area to install a small sump pump. The necessary dimensions are min 300x300mm and 200mm deep.

To prevent any possibility of contamination of the ground water we recommend giving the pit floor an oil resistant coating as a means of protecting the environment and to facilitate cleaning.

## Installation

Depending on the site configuration, it may be necessary to use a crane to carry the parts to its dedicated place. The cost of the crane is at the charge of the client.

## Finish (to be performed by the customer)

The finishing of the platform is up to the customer's wish and is not included in the price. We recommend a coating matching the floor around the Turntable such as tiles, mosaic, ribbed aluminium sheets etc. It must be determined before the system is built as the weight and the thickness of the coating needs to be considered. The standard coating will be 40mm thick and its weight will not exceed 75kg/m<sup>2</sup>. Other options are possible upon request.

Cardok can propose various options of finish such as stainless sheets, ribbed aluminium sheets, anodic oxidized aluminium sheets or other.

## Electricity

Power supply must be provided by the client and must be done by a qualified electrician - 230VAC / 1PH / 1.5kW

One electrical box must be installed close to the Turntable, to install the control panel with an emergency switch and key push buttons to operate the Turntable.

## Noise

The engine produces very little noise.

## Maintenance

Regular maintenance by qualified personnel can be provided by means of an Annual Service Contract.

## Temperature

The installation is designed to operate between -25°C and +50°C. Atmospheric Humidity: 50% at +40°C.

The electrical control panel must be installed in dry local between +3° C and +30° C.

Systems are designed for snow load zone II with up to 0.75 kN/m<sup>2</sup> in accordance to DIN 1055-5.  
If the local circumstances differ from the above, please contact us to provide it.

## Conformity test

All our systems are checked according to EC machinery directive 2006/42/EC.

## Notes

In case higher loading is required e.g. passage for fire brigade or delivery fuel oil, please contact us.

The manufacturer reserves the right to modify or alter above specifications.